

**INSTALLATION, OPERATION AND  
MAINTENANCE MANUAL**

**Figure 912**

**1/2", 3/4" & 1" Air Release Valves  
Drawing EAV-7018**

***GA Industries, LLC***

**9025 Marshall Road**

**Cranberry Township, PA 16066 USA**

**Telephone (724) 776-1020**

**Fax (724) 776-1254**

**E-mail: [info@gaindustries.com](mailto:info@gaindustries.com)**

# INSTALLATION, OPERATION and MAINTENANCE

## Figure 912 Air Release Valves

### INTRODUCTION

This manual will provide the information to properly install, operate and maintain the valve to ensure a long service life. The Figure 912 Air Release Valve is ruggedly constructed to provide years of trouble-free operation with minimal maintenance.

These Air Release Valves are not intended for use with fluids containing suspended solids such as wastewater and sewage. The GA Industries Figure 925, 927 or 929 Air Release Valves are recommended for such applications.

#### CAUTION

The valve is NOT recommended for use with toxic fluids, fuels or fluids containing hazardous gases

#### CAUTION

The valve will not function if used at a pressure higher than the maximum working pressure indicated on the nameplate.

The Shop Order (SO) Number, Figure Number, size and pressure rating are stamped on a nameplate attached to the valve. Please refer to the SO number when ordering parts.

### DESCRIPTION OF OPERATION

The Figure 912 Air Release Valve is designed to automatically vent air that has accumulated within the valve. These valves are usually installed at high points in the system where air tends to collect. The valve is "normally open" as shipped and will vent air through its orifice at the top of the valve. The float rises when water enters the valve and closes the orifice. Air from the system accumulates in the valve forcing the water level down until the float drops and opens the venting orifice. As air is released the water level rises lifting the float and re-closing the valve.

This sequence occurs as often as necessary to release air that has collected in the valve.

### RECEIVING AND STORAGE

Inspect the valve upon receipt for damage during shipment. Carefully unload all valves to the ground without dropping.

The valves should remain in a clean, dry and weather protected area until installed. For long term storage (greater than 6 months) the rubber surfaces of the seat should be coated with a non-toxic lubricant such as "SuperLube" made by Synco Chemical. Do not expose the rubber parts to sunlight or ozone.

### INSTALLATION

The Figure 912 is standard with NPT screwed connections. Consult the drawings of record to verify the configuration supplied and installed.

The valve must be installed in an upright vertical orientation, normally at a high point in the system.

If installed outdoors, below ground in a vault or in an unheated area, adequate freeze protection must be provided. Some discharge of water may occur during operation so the valve outlet should be piped to an adequate drain.

An isolating valve should be installed between the valve and the pipeline or system to facilitate maintenance.

Carefully screw threaded end valves onto pipe nipple using compatible thread sealant. Tighten valve using wrench flats. DO NOT OVERTIGHTEN.

### VALVE CONSTRUCTION

The standard Figure 912 Air Release Valve has a cast iron body, stainless steel float and linkage mechanism and a rubber seat and is suitable for use at working pressures from 10 to 150 PSI (69 to 1,034 KPa). If there is an "H" suffixed to the figure number (e.g., 912H) the valve is suitable for use at up to 300 PSI (2,069 KPa) working

pressure. Optional materials such as ductile iron body can be provided for even higher working pressures. Refer to the List of Materials submitted for the order if non-standard materials were provided.

Refer to Figure 1 for details of construction and parts location.

The body (1) has an inlet connection at the bottom where the valve attaches to the system and a smaller outlet connection at the top through which air leaves the valve.

<p style="text-align: center;"><b>WARNING</b></p> <p style="text-align: center;">Removing the valve from the line or disassembling the valve while there is pressure in the valve body may result in injury or damage to the valve</p>
--

**PREVENTIVE MAINTENANCE**

Figure 912 Air Release Valves require no scheduled lubrication, adjustment or preventive maintenance.

A periodic visual inspection should be performed to ensure the outlet piping is not obstructed and to verify there is no fluid leakage.

**TESTING**

Valve operation can be easily tested. Close the inlet isolation valve and remove or loosen the pipe plug nearest the inlet to drain the water from the valve. The float should drop as the water leaves the valve. NOTE: A ball or gate valve can be installed in place of the pipe plug to facilitate testing.

Replace or tighten the pipe plug and slowly open the inlet isolating valve. The valve should float closed and seat tightly.

**TROUBLESHOOTING**

- Valve Does Not Close / Fluid Leakage  
Verify debris has not collected on the seat preventing tight closure

Verify rubber orifice button and/or orifice seating surfaces are not damaged

Verify float has buoyancy

Verify linkage mechanism operates freely without binding or sticking

- Valve Does Not Open  
Verify debris in the valve is not preventing the float from freely falling when fluid is drained from valve

2

Verify linkage mechanism operates freely without binding or sticking

**DISASSEMBLY**

Although the Figure 912 air release valve may be more easily serviced by removing it from the line, all valves can be serviced while the body remains connected to the pipeline. A skilled technician with proper tools should perform all work. No special tools are required.

First ensure there is no pressure within the valve. Remove the cover screws (7) and lift off cover (2) with float and linkage attached. It may be necessary to pry the cover off. Be careful not to damage or lose the cover gasket (6) unless it will be replaced.

Remove the spring pin (11) to free the float arm (9) with float (5) attached. Remove the rubber orifice button (10) by pulling the large end through the float arm (9). No further disassembly is needed to replace the rubber orifice button (10)

Remove the bracket screw (8). Use a ½” hex socket to remove the orifice (4) and lift off the leverage bracket (3).

Remove the float screw (12) being careful not to lose the lockwasher (13).

Inspect all parts for wear and damage. Minor scratches and dents in the float are normal. Some floats may contain sand for added weight but if water is detected replace the float. Carefully clean the orifice of scale. Replace damaged parts.

**REASSEMBLY**

Reassembly is performed in reverse order from disassembly. Clean all parts especially the threaded, seating and sealing surfaces before reassembling valve. Worn parts should be replaced.

Clean with Loctite 649 (or equal) primer and apply Loctite® 271 (or equal) sealant to the

threads of the orifice (4) before installation into cover. Torque to maximum 22 ft-lbs.

Lubricate orifice button (10) and pull the small end through the hole in the float arm (9) until it locks in place.

Apply Loctite 242 (or equal) to the threads of the float screw (12) before installation.

Place cover gasket (6) and cover (2) with the float assembled on the body and install cover screws. Tighten cover screws in an alternating pattern.

Carefully introduce pressure and check for leaks

## REPLACEMENT PARTS

Genuine replacement parts are available from your local GA Industries, LLC representative or from the factory:

GA INDUSTRIES, LLC  
9025 Marshall Road  
Cranberry Township, PA 16066 USA  
Telephone: 724-776-1020  
Fax: 724-776-1254  
E-mail: [parts@gaindustries.com](mailto:parts@gaindustries.com)

Please have the nameplate data available when ordering parts.

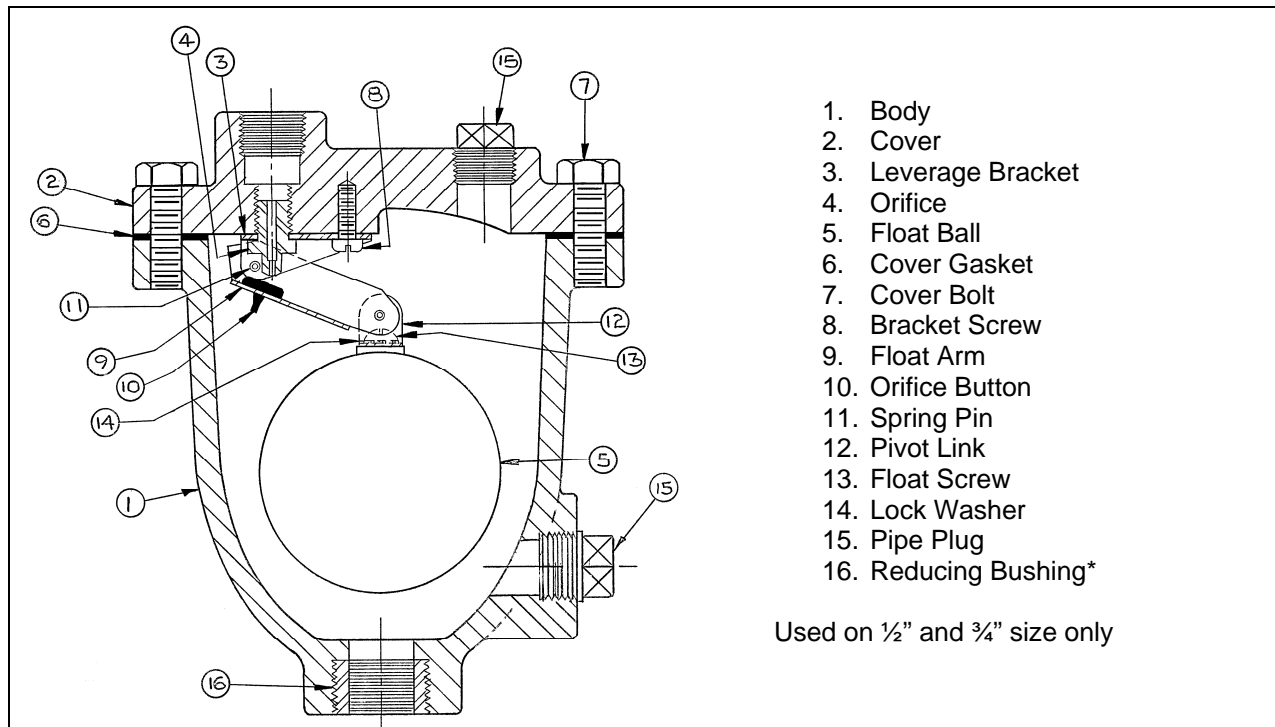


Figure 1

## WARRANTY

GA Industries, LLC (Seller) warrants to the original Buyer that all products delivered hereunder shall be free from defects in manufacture for a period of one year from the date of delivery, provided that such products are installed, used, operated, adjusted and serviced only in a proper and appropriate manner and in strict accordance with any instructions relating thereto furnished to Buyer by Seller. In no event shall the foregoing warranty extend to any products in any way caused or allowed to be, or installed, operated or used in such a manner as to be subject or exposed to conditions of misuse, abuse or accident.

Products not manufactured by Seller shall be warranted only to the extent of warranty to Seller.

*The foregoing warranty is exclusive and lieu of any and all other warranties, expressed or implied. No warranty of merchantability, no implied warranty of fitness for any particular purpose, and no implied warranty arising by usage of trade, course of dealing or course of performance is given by Seller or shall arise by or in connection with this sale and/or the Seller's and/or Buyer's conduct in relation thereto or to each other, and in no event shall Seller be liable on any such warranty with respect to any product.*

Liability of the Seller under or in connection with this sale and/or the foregoing warranty shall be limited, at the sole option of the Seller, to one of repair or, replacement of, or a refund of the purchase price of any products or part thereof with respect to which Seller receives. Promptly after Buyer's discovery of any alleged defect and prior to the expiration of the one-year warranty period as provided above, notice, in writing, from Buyer of Buyer's claim of defect, and which shall be returned to Seller by Buyer, as provided herein, promptly after Buyer's discovery of such alleged defect and which shall be determined by the Seller to have proved defective within the one-year warranty period provided above, failure by Buyer so to notify Seller and return such products to Seller after Buyer's discovery of such alleged defect shall constitute a waiver by Buyer of any and all claims of any kind with respect thereto. Any products returned by Buyer to Seller under the foregoing terms shall be returned to Seller's place of business freight prepaid, accompanied or preceded by Buyer's particularized statement of the claimed defect. The risk of loss and freight charges to and from Seller in connection with any returned products shall be borne by Buyer; but Seller shall bear such additional freight charges arising in connection with any returned products ultimately determined by Seller to be defective under the terms of the foregoing warranty, the cost of repair or replacement (if any) of such products, and the risk of loss or damage while such products are in Seller's possession at its place of business. The foregoing remedy shall constitute the sale and exclusive remedy of the Buyer under or in connection with this sale and/or warranty of the Seller. Except as specifically provided herein, Seller shall not be responsible or liable for any costs, expenses or damages of Buyer in connection with any removal, repair or replacement (including any attempts or actions relating thereto) of any allegedly defective products, and no charge or setoff of any kind of Buyer relating thereto shall be made against the Seller without prior and specific written approval of Seller.

*In no event shall Seller be responsible or liable for any special, indirect, incidental or consequential damages arising in any way in connection with any products or this sale.*

The agreement of Seller to sell its products is expressly conditioned upon the Buyer's assent to, and Seller agrees to sell its products only upon, all terms and conditions set forth in the Seller's Terms and Conditions of Sales. Failure to comply with terms will void warranty. Buyer's acceptance of any products provided under this sale constitutes such assent.



9025 Marshall Road  
Cranberry Township, PA 16066 USA  
Phone: 724-776-1020 • Fax: 724-776-1020 • E-mail: [info@gaindustries.com](mailto:info@gaindustries.com)