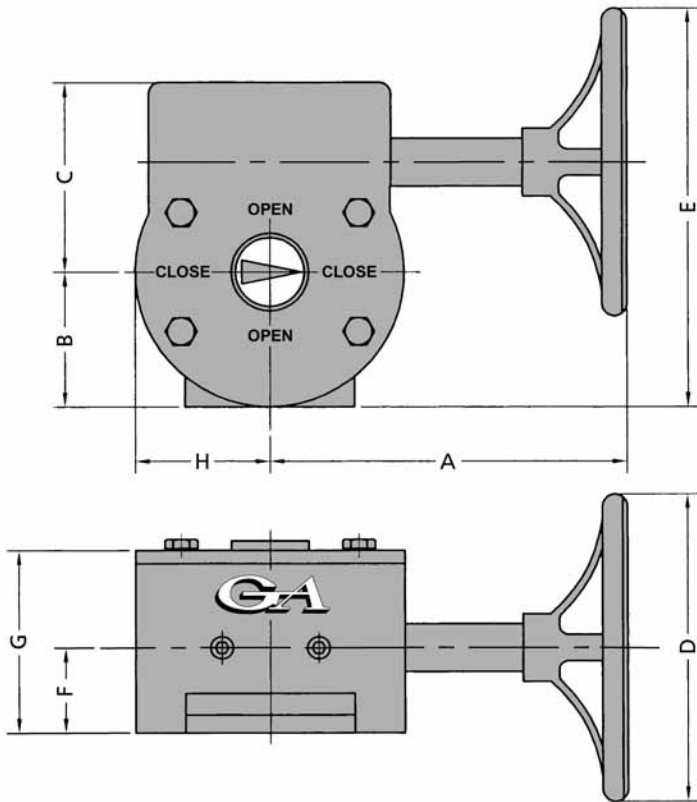


SERIES 800 Butterfly Valves

WORM GEAR OPERATOR



Worm Gear Actuators are manufactured with cast iron cases, high strength steel worm and bronze worm gear per AWWA C504.



GENERAL DIMENSIONS

Valve Size	Model	A	B	C	D	E	F	G	H
3" to 6"	WG1	7½"	2⅞"	3"	6"	6⅞"	1⅞"	2⅞"	2⅞"
8" to 12"	WG2	12⅝"	3"	4"	8"	9⅞"	1⅞"	2¾"	3"
14" to 16"	WG3	12⅝"	3⅞"	4½"	12"	10½"	1½"	3"	3⅜"
18" to 20"	WG4	11⅞"	5⅞"	6⅞"	12"	15¾"	2⅞"	4⅞"	5⅞"
24" to 30"	WG5	9¾"	6⅞"	7⅞"	15"	19¼"	2¾"	5⅞"	6⅞"
36" to 48"	Refer to Factory								

NOTES: Worm gear operators are also available sealed and grease packed with a 2" square operating nut for buried service or with optional chainwheel for above ground.