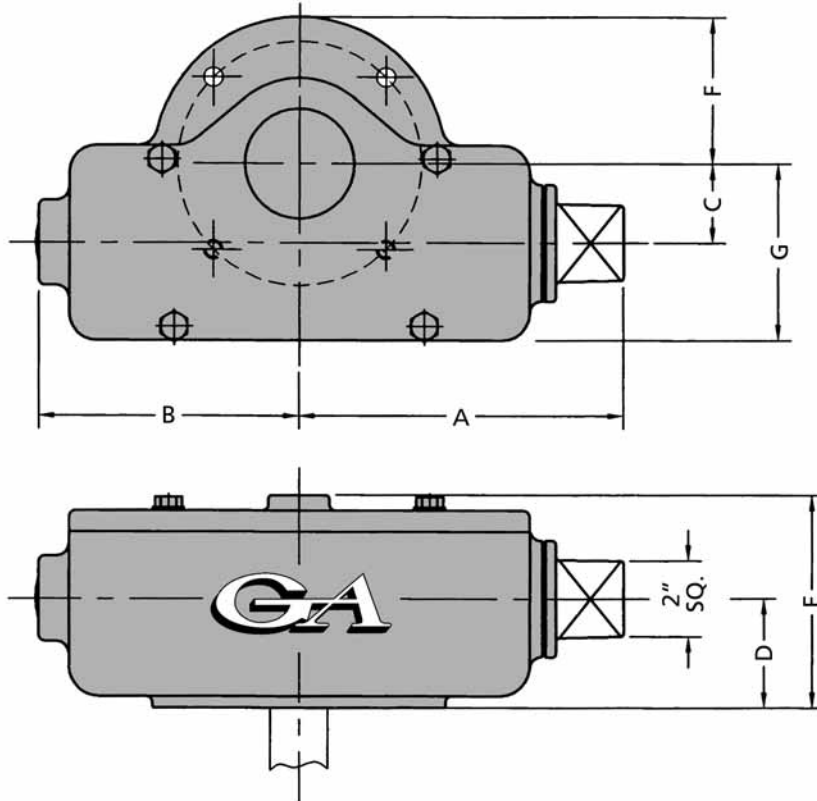


SERIES 800 Butterfly Valves

TRAVELING NUT OPERATORS

Suitable For Buried Service



GENERAL DIMENSIONS								
Valve Size	Model	A	B	C	D	E	F	G
3" to 8"	TN1	6¾"	4½"	1⅝"	2"	4⅝"	5"	3⅝"
10" to 12"	TN2	7"	5½"	1⅝"	2⅜"	5⅝"	6"	3⅝"
14" to 30"	TN3	9¼"	7¼"	3½"	2¾"	5¾"	8⅝"	7¼"
36" to 48"	Refer to Factory							

NOTES: Traveling nut operators for buried service are sealed, grease packed and supplied with a 2" square operating nut. For above ground the operator is supplied with position indicator and handwheel or optional chainwheel.